

FE-13 Component Description

FE-13 Container Assemblies

Effective: April 2007
K-96-9000

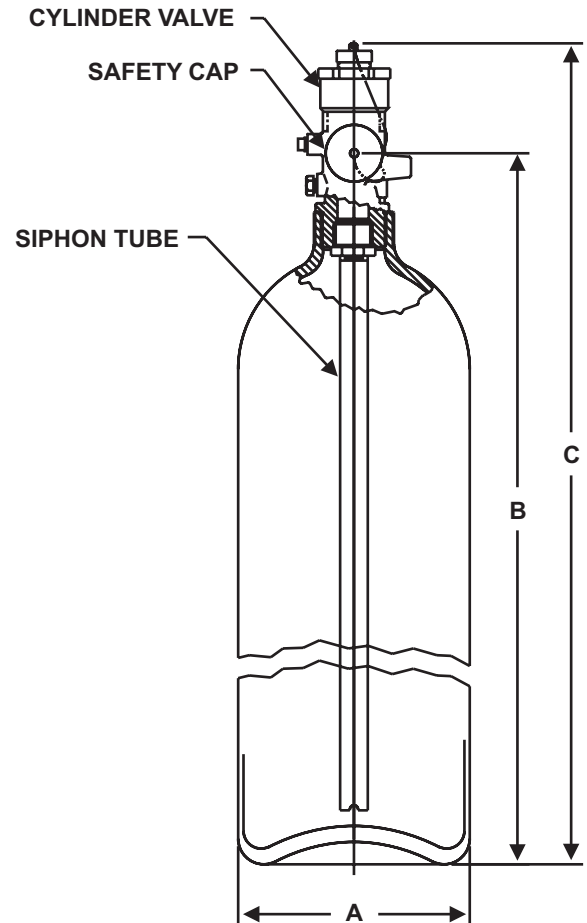
MATERIALS

VALVE BODY: BRASS

CYLINDER: STEEL, PAINTED RED

Notes:

1. The safety cap must be installed on the valve outlet at all times except when the cylinders are connected to the system piping or being filled. The safety cap must not be removed from its chain.
2. See K-96-9010 for additional information.
3. Cylinders Are Vertical Mount Only.



Part Number	Cylinder Size	Dimensions		
		A	B	C
96-100065-001	74 lb. (33.6 kg)	9 in. (229 mm)	53 in. (1346 mm)	56 in. (1422 mm)
96-100112-001	115 lb. (52.3 kg)	10-1/2 in. (267 mm)	60 in. (1524 mm)	63 in. (1600 mm)

This literature is provided for informational purposes only. KIDDE-FENWAL, INC. assumes no responsibility for the product's suitability for a particular application. The product must be properly applied to work correctly. If you need more information on this product, or if you have a particular problem or question, contact KIDDE-FENWAL, INC., Ashland, MA 01721. Telephone: (508) 881-2000.

Kidde Fire Systems
A UTC Fire & Security Company
400 Main Street
Ashland, MA 01721
Ph: 508.881.2000
Fax: 508.881.8920
www.kiddefiresystems.com